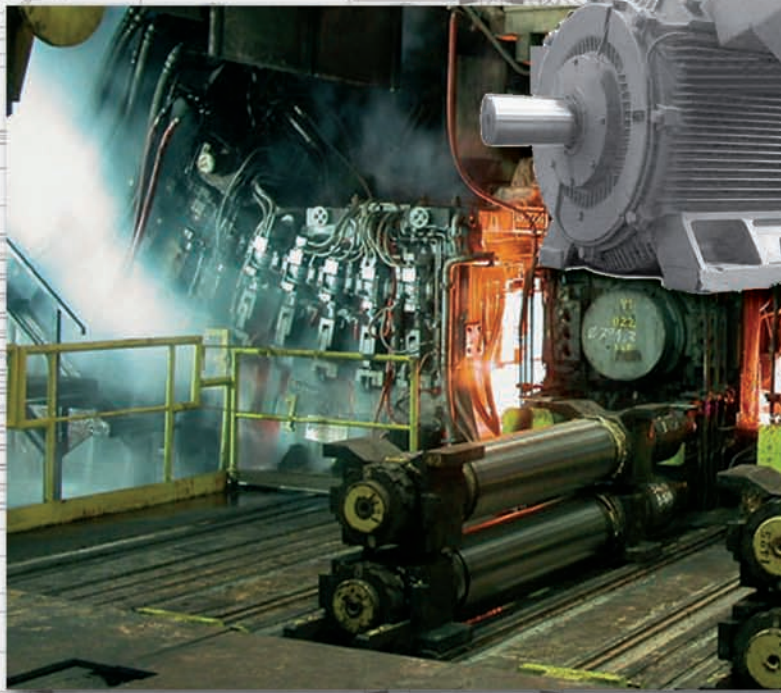
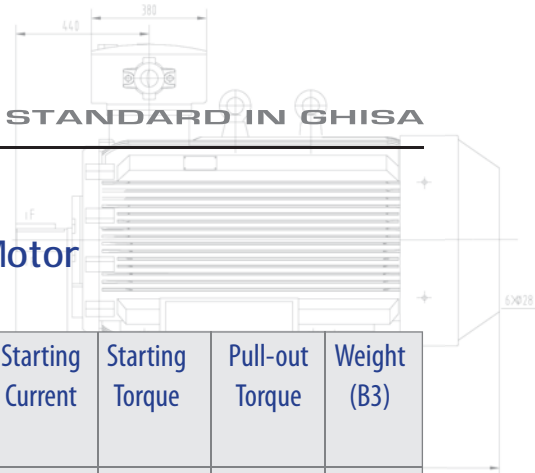




ELECTRIC MOTORS

**Special Motors
Medium / High Voltage IC411**

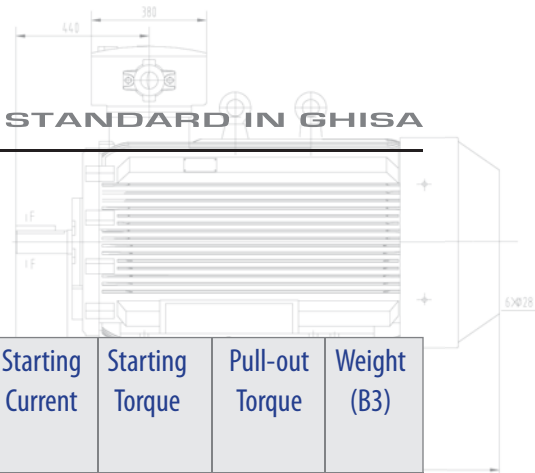




**TECHNICAL DATA OME series HV Compact Enclosure Motor
IP 55, IC 411, Insulation Class F, temperature rise Class B, 3000V-50HZ**

TYPE	Rated output	Voltage	Rated Current at	Speed	Power factor	Efficiency	Torque Tn	Starting Current	Starting Torque	Pull-out Torque	Weight (B3)
	KW	V	A	r.p.m.	cos φ	η	Nm	I st/In	Tst/Tn	Tmax/Tn	Kg
OME 355 A-2	185	3000	45.2	3000	0.84	93.9	589	2	0.7	7	1550
OME 355 B-2	200	3000	48.8	3000	0.84	94	637	2	0.7	7	1600
OME 355 C-2	220	3000	53.6	3000	0.84	94.2	700	2	0.7	7	1650
OME 355 D-2	250	3000	60.6	3000	0.84	94.4	796	2	0.7	7	1700
OME 355 E-2	280	3000	66.2	3000	0.86	94.6	891	2	0.7	7	1750
OME 400 A-2	315	3000	74.4	3000	0.86	94.8	1.003	2	0.7	7	2450
OME 400 B-2	355	3000	83.8	3000	0.86	94.9	1.130	2	0.7	7	2500
OME 400 C-2	400	3000	94.2	3000	0.86	95.1	1.273	2	0.7	7	2550
OME 400 D-2	450	3000	105.8	3000	0.86	95.2	1.433	2	0.7	7	2600
OME 450 A-2	500	3000	116	3000	0.87	95.3	1.592	2	0.7	7	3450
OME 450 B-2	560	3000	129.8	3000	0.87	95.4	1.783	2	0.7	7	3580
OME 450 C-2	630	3000	146	3000	0.87	95.5	2.006	2	0.7	7	3650
OME 450 D-2	710	3000	164.2	3000	0.87	95.7	2.260	2	0.7	7	3880
OME 500 A-2	800	3000	183	3000	0.88	95.6	2.547	2	0.7	7	5600
OME 500 B-2	900	3000	205.6	3000	0.88	95.7	2.865	2	0.7	7	5800
OME 500 C-2	1000	3000	228	3000	0.88	95.9	3.183	2	0.7	7	5950
OME 500 D-2	1120	3000	255.2	3000	0.88	96	3.565	2	0.7	7	6100
OME 560 A-2	1250	3000	281.2	3000	0.89	96.1	3.979	2	0.7	7	9450
OME 560 B-2	1400	3000	314.4	3000	0.89	96.3	4.457	2	0.7	7	9800
OME 560 C-2	1600	3000	394.6	3000	0.89	95.5	5.093	2	0.7	7	11250
OME 355 A-4	185	3000	45.4	1500	0.84	93.7	1.178	2	0.8	7	1650
OME 355 B-4	200	3000	48.8	1500	0.84	93.9	1.273	2	0.8	6.5	1680
OME 355 C-4	220	3000	53.6	1500	0.84	94.1	1.401	2	0.8	6.5	1850
OME 355 D-4	250	3000	60.8	1500	0.84	94.3	1.592	2	0.8	6.5	2050
OME 355 E-4	280	3000	67.8	1500	0.84	94.5	1.783	2	0.8	6.5	2100
OME 400 A-4	315	3000	75.4	1500	0.85	94.6	2.006	2	0.8	6.5	2250
OME 400 B-4	355	3000	84.8	1500	0.85	94.8	2.260	2	0.8	6.5	2610
OME 400 C-4	400	3000	95.4	1500	0.85	95	2.547	2	0.8	6.5	2750
OME 400 D-4	450	3000	107	1500	0.85	95.5	2.865	2	0.8	6.5	2810
OME 450 A-4	500	3000	117.4	1500	0.86	95.3	3.183	2	0.8	6.5	3580
OME 450 B-4	560	3000	131.4	1500	0.86	95.4	3.565	2	0.8	6.5	3650
OME 450 C-4	630	3000	147.6	1500	0.86	95.5	4.011	2	0.8	6.5	3750
OME 450 D-4	710	3000	166.2	1500	0.86	85.6	4.520	2	0.8	6.5	3800

TYPE	Rated output	Voltage	Rated Current at	Speed	Power factor	Efficiency	Torque Tn	Starting Current	Starting Torque	Pull-out Torque	Weight (B3)
	KW	V	A	r.p.m.	cos φ	η	Nm	I st/In	Tst/Tn	Tmax/Tn	Kg
OME 500 A-4	800	3000	187.2	1500	0.86	95.4	5.093	2	0.8	6.5	5850
OME 500 B-4	900	3000	210.2	1500	0.86	95.8	5.730	2	0.8	6.5	5980
OME 500 C-4	1000	3000	234	1500	0.86	95.9	6.367	2	0.8	6.5	6120
OME 500 D-4	1120	3000	261	1500	0.86	96	7.131	2	0.8	6.5	6300
OME 560 A-4	1250	3000	287.8	1500	0.87	96.1	7.958	2	0.7	6.5	9550
OME 560 B-4	1400	3000	322	1500	0.87	96.2	8.913	2	0.7	6.5	9900
OME 560 C-4	1600	3000	367.2	1000	0.87	96.4	10.187	2	0.7	6.5	11350
OME 355 D-6	160	3000	41.2	1000	0.8	93.4	1.528	2	0.8	6	1680
OME 355 E-6	185	3000	47.6	1000	0.8	93.5	1.767	2	0.8	6	1850
OME 355 F-6	200	3000	51.4	1000	0.8	93.6	1.910	2	0.8	6	2230
OME 400 A-6	200	3000	55	1000	0.82	93.8	1.910	2	0.8	6	2530
OME 400 B-6	250	3000	62.4	1000	0.82	93.9	2.388	2	0.8	6	2580
OME 400 C-6	280	3000	69.8	1000	0.82	94.1	2.674	2	0.8	6	2650
OME 400 D-6	315	3000	78.4	1000	0.82	94.3	3.008	2	0.8	6	2750
OME 450 A-6	355	3000	87.2	1000	0.83	94.5	3.390	2	0.8	6	3580
OME 450 B-6	400	3000	98	1000	0.83	94.6	3.820	2	0.8	6	3650
OME 450 C-6	450	3000	110.2	1000	0.83	94.7	4.298	2	0.8	6	3780
OME 450 D-6	500	3000	122.2	1000	0.83	94.9	4.775	2	0.8	6	3850
OME 500 A-6	560	3000	136.6	1000	0.83	95.1	5.348	2	0.8	6	5750
OME 500 B-6	630	3000	153.4	1000	0.83	95.2	6.017	2	0.8	6	5990
OME 500 C-6	710	3000	172.8	1000	0.83	95.3	6.781	2	0.8	6	6150
OME 500 D-6	800	3000	194.4	1000	0.83	95.4	7.640	2	0.8	6	6350
OME 560 A-6	900	3000	215.6	1000	0.84	95.6	8.595	2	0.7	6	9880
OME 560 B-6	1000	3000	239.4	1000	0.84	95.7	9.550	2	0.7	6	10030
OME 560 C-6	1120	3000	267.8	1000	0.84	95.8	10.696	2	0.7	6	11000
OME 560 D-6	1250	3000	298.6	1000	0.84	95.9	11.938	2	0.7	6	11500
OME 400 A-8	160	3000	43.4	750	0.76	93.2	2.037	2	0.8	5.5	2250
OME 400 B-8	185	3000	50.2	750	0.76	93.3	2.356	2	0.8	5.5	2300
OME 400 C-8	200	3000	53.4	750	0.77	96.5	2.547	2	0.8	5.5	2400
OME 400 D-8	220	3000	58.6	750	0.77	93.7	2.801	2	0.8	5.5	2450
OME 450 A-8	250	3000	65.6	750	0.78	93.9	3.183	2	0.8	5.5	3600
OME 450 B-8	280	3000	73.4	750	0.78	94.1	3.565	2	0.8	5.5	3650
OME 450 C-8	315	3000	82.6	750	0.78	94.2	4.011	2	0.8	5.5	3800
OME 450 D-8	355	3000	92.8	750	0.78	94.4	4.520	2	0.8	5.5	3850



IP 55, IC 411, Insulation Class F, temperature rise Class B, 3000V-50HZ

TYPE	Rated output	Voltage	Rated Current at	Speed	Power factor	Efficiency	Torque Tn	Starting Current	Starting Torque	Pull-out Torque	Weight (B3)
	KW	V	A	r.p.m.	cos φ	η	Nm	I st/In	Tst/Tn	Tmax/Tn	Kg
OME 500 A-8	400	3000	103.2	750	0.79	94.5	5.093	2	0.8	5.5	5850
OME 500 B-8	450	3000	115.8	750	0.79	94.6	5.730	2	0.8	5.5	6000
OME 500 C-8	500	3000	126.8	750	0.8	94.8	6.367	2	0.8	5.5	6200
OME 500 D-8	560	3000	142	750	0.8	94.9	7.131	2	0.8	5.5	6550
OME 560 A-8	630	3000	157.2	750	0.81	95.1	8.022	2	0.8	5.5	9850
OME 560 B-8	710	3000	176.8	750	0.81	95.2	9.041	2	0.8	5.5	10000
OME 560 C-8	800	3000	199.2	750	0.81	95.3	10.187	2	0.8	5.5	10200
OME 560 D-8	900	3000	223.6	750	0.81	95.6	11.460	2	0.8	5.5	10500

IP 55, IC 411, Insulation Class F, temperature rise Class B, 6000V-50HZ

TYPE	Rated output	Voltage	Rated Current at	Speed	Power factor	Efficiency	Torque Tn	Starting Current	Starting Torque	Pull-out Torque	Weight (B3)
	KW	V	A	r.p.m.	cos φ	η	Nm	I st/In	Tst/Tn	Tmax/Tn	Kg
OME 355 A-2	185	6000	22.6	3000	0.84	93.9	589	2	0.7	7	1550
OME 355 B-2	200	6000	24.4	3000	0.84	94	637	2	0.7	7	1600
OME 355 C-2	220	6000	26.8	3000	0.84	94.2	700	2	0.7	7	1650
OME 355 D-2	250	6000	30.3	3000	0.84	94.4	796	2	0.7	7	1700
OME 355 E-2	280	6000	33.1	3000	0.86	94.6	891	2	0.7	7	1750
OME 400 A-2	315	6000	37.2	3000	0.86	94.8	1.003	2	0.7	7	2450
OME 400 B-2	355	6000	41.9	3000	0.86	94.9	1.130	2	0.7	7	2500
OME 400 C-2	400	6000	47.1	3000	0.86	95.1	1.273	2	0.7	7	2550
OME 400 D-2	450	6000	52.9	3000	0.86	95.2	1.433	2	0.7	7	2600
OME 450 A-2	500	6000	58	3000	0.87	95.3	1.592	2	0.7	7	3450
OME 450 B-2	560	6000	64.9	3000	0.87	95.4	1.783	2	0.7	7	3580
OME 450 C-2	630	6000	73	3000	0.87	95.5	2.006	2	0.7	7	3650
OME 450 D-2	710	6000	82.1	3000	0.87	95.7	2.260	2	0.7	7	3880
OME 500 A-2	800	6000	91.5	3000	0.88	95.6	2.547	2	0.7	7	5600
OME 500 B-2	900	6000	102.8	3000	0.88	95.7	2.865	2	0.7	7	5800
OME 500 C-2	1000	6000	114	3000	0.88	95.9	3.183	2	0.7	7	5950
OME 500 D-2	1120	6000	127.6	3000	0.88	96	3.565	2	0.7	7	6100
OME 560 A-2	1250	6000	140.6	3000	0.89	96.1	3.979	2	0.7	7	9450
OME 560 B-2	1400	6000	157.2	3000	0.89	96.3	4.457	2	0.7	7	9800
OME 560 C-2	1600	6000	197.3	3000	0.89	96.5	5.093	2	0.7	7	11250

TYPE	Rated output	Voltage	Rated Current at	Speed	Power factor	Efficiency	Torque Tn	Starting Current	Starting Torque	Pull-out Torque	Weight (B3)
	KW	V	A	r.p.m.	cos φ	η	Nm	I _{st} /I _n	T _{st} /T _n	T _{max} /T _n	Kg
OME 355 A-4	185	6000	22.7	1500	0.84	93.7	1.178	2	0.8	6.5	1650
OME 355 B-4	200	6000	24.4	1500	0.84	93.9	1.273	2	0.8	6.5	1680
OME 355 C-4	220	6000	26.8	1500	0.84	94.1	1.401	2	0.8	6.5	1850
OME 355 D-4	250	6000	30.4	1500	0.84	94.3	1.592	2	0.8	6.5	2050
OME 355 E-4	280	6000	33.9	1500	0.84	94.5	1.783	2	0.8	6.5	2100
OME 400 A-4	315	6000	37.7	1500	0.85	94.6	2.006	2	0.8	6.5	2250
OME 400 B-4	355	6000	42.4	1500	0.85	94.8	2.260	2	0.8	6.5	2610
OME 400 C-4	400	6000	47.7	1500	0.85	95	2.547	2	0.8	6.5	2750
OME 400 D-4	450	6000	53.5	1500	0.85	95.5	2.865	2	0.8	6.5	2810
OME 450 A-4	500	6000	58.7	1500	0.86	95.3	3.183	2	0.8	6.5	3580
OME 450 B-4	560	6000	65.7	1500	0.86	95.4	3.565	2	0.8	6.5	3650
OME 450 D-4	630	6000	73.8	1500	0.86	95.5	4.011	2	0.8	6.5	3750
OME 450 E-4	710	6000	83.1	1500	0.86	95.6	4.520	2	0.8	6.5	3800
OME 500 A-4	800	6000	93.6	1500	0.86	95.4	5.093	2	0.8	6.5	5850
OME 500 B-4	900	6000	105.1	1500	0.86	95.8	5.730	2	0.8	6.5	5980
OME 500 C-4	1000	6000	116.7	1500	0.86	95.9	6.367	2	0.8	6.5	6120
OME 500 D-4	1120	6000	130.5	1500	0.86	96	7.131	2	0.8	6.5	6300
OME 560 A-4	1250	6000	143.9	1500	0.87	96.1	7.958	2	0.7	6.5	9550
OME 560 B-4	1400	6000	161	1500	0.87	96.2	8.913	2	0.7	6.5	9900
OME 560 C-4	1600	6000	183.6	1500	0.87	96.4	10.187	2	0.7	6.5	11350
OME 355 C-6	160	6000	20.6	1000	0.8	93.4	1.528	2	0.8	6	1680
OME 355 D-6	185	6000	23.8	1000	0.8	93.5	1.767	2	0.8	6	1850
OME 355 E-6	200	6000	25.7	1000	0.8	93.6	1.910	2	0.8	6	2230
OME 400 A-6	200	6000	27.5	1000	0.82	93.8	1.910	2	0.8	6	2530
OME 400 B-6	250	6000	31.2	1000	0.82	93.9	2.388	2	0.8	6	2580
OME 400 C-6	280	6000	34.9	1000	0.82	94.1	2.674	2	0.8	6	2650
OME 400 D-6	315	6000	39.2	1000	0.82	94.3	3.008	2	0.8	6	2750
OME 450 A-6	355	6000	43.6	1000	0.83	94.5	3.390	2	0.8	6	3580
OME 450 B-6	400	6000	49	1000	0.83	94.6	3.820	2	0.8	6	3650
OME 450 C-6	450	6000	55.1	1000	0.83	94.7	4.298	2	0.8	6	3780
OME 450 D-6	500	6000	61.1	1000	0.83	94.9	4.775	2	0.8	6	3850
OME 500 A-6	560	6000	68.3	1000	0.83	95.1	5.348	2	0.8	6	5750
OME 500 B-6	630	6000	76.7	1000	0.83	95.2	6.017	2	0.8	6	5990
OME 500 C-6	710	6000	86.4	1000	0.83	92.3	6.781	2	0.8	6	6150
OME 500 D-6	800	6000	97.2	1000	0.83	95.4	7.640	2	0.8	6	6350



IP 55, IC 411, Insulation Class F, temperature rise Class B, 6000V-50HZ

TYPE	Rated output	Voltage	Rated Current at	Speed	Power factor	Efficiency	Torque Tn	Starting Current	Starting Torque	Pull-out Torque	Weight (B3)
	KW	V	A	r.p.m.	cos φ	η	Nm	I st/In	Tst/Tn	Tmax/Tn	Kg
OME 560 A-6	900	6000	107.8	1000	0.84	95.6	8.595	2	0.7	6	9880
OME 560 B-6	1000	6000	119.7	1000	0.84	95.7	9.550	2	0.7	6	10030
OME 560 C-6	1120	6000	133.9	1000	0.84	95.8	10.696	2	0.7	6	11000
OME 560 D-6	1250	6000	149.3	1000	0.84	95.9	11.938	2	0.7	6	11500
OME 400 A-8	160	6000	21.7	750	0.76	93.2	2.037	2	0.8	5.5	2250
OME 400 B-8	185	6000	25.1	750	0.76	93.3	2.356	2	0.8	5.5	2300
OME 400 C-8	200	6000	26.7	750	0.77	96.5	2.547	2	0.8	5.5	2400
OME 400 D-8	220	6000	29.3	750	0.77	93.7	2.801	2	0.8	5.5	2450
OME 450 A-8	250	6000	32.8	750	0.78	93.9	3.183	2	0.8	5.5	3600
OME 450 B-8	280	6000	36.7	750	0.78	94.1	3.565	2	0.8	5.5	3650
OME 450 C-8	315	6000	41.3	750	0.78	94.2	4.011	2	0.8	5.5	3800
OME 450 D-8	355	6000	46.4	750	0.78	94.4	4.520	2	0.8	5.5	3850
OME 500 A-8	400	6000	51.6	750	0.79	94.5	5.093	2	0.8	5.5	5850
OME 500 B-8	450	6000	57.9	750	0.79	94.6	5.730	2	0.8	5.5	6000
OME 500 C-8	500	6000	63.4	750	0.8	94.8	6.367	2	0.8	5.5	6200
OME 500 D-8	560	6000	71	750	0.8	94.9	7.131	2	0.8	5.5	6550
OME 560 A-8	630	6000	78.6	750	0.81	95.1	8.022	2	0.8	5.5	9850
OME 560 B-8	710	6000	88.4	750	0.81	95.2	9.041	2	0.8	5.5	10000
OME 560 C-8	800	6000	99.6	750	0.81	95.3	10.187	2	0.8	5.5	10200
OME 560 D-8	900	6000	111.8	750	0.81	95.6	11.460	2	0.8	5.5	10500

IP 55, IC 411, Insulation Class F, temperature rise Class B, 10000V-50HZ

TYPE	Rated output	Voltage	Rated Current at	Speed	Power factor	Efficiency	Torque Tn	Starting Current	Starting Torque	Pull-out Torque	Weight (B3)
	KW	V	A	r.p.m.	cos φ	η	Nm	I st/In	Tst/Tn	Tmax/Tn	Kg
OME 450 B-2	250	10000	17.5	3000	0.89	92.6	796	1.8	0.6	7	3550
OME 450 C-2	280	10000	19.6	3000	0.89	92.8	891	1.8	0.6	7	3650
OME 450 D-2	315	10000	21.9	3000	0.89	93.1	1.003	1.8	0.6	7	3780
OME 450 E-2	355	10000	24.7	3000	0.89	93.3	1.130	1.8	0.6	7	3850
OME 450 F-2	400	10000	27.7	3000	0.89	93.4	1.273	1.8	0.6	7	4000
OME 450 G-2	450	10000	31.2	3000	0.89	93.5	1.433	1.8	0.6	7	4250
OME 450 H-2	500	10000	34.6	3000	0.89	93.6	1.592	1.8	0.6	7	4400

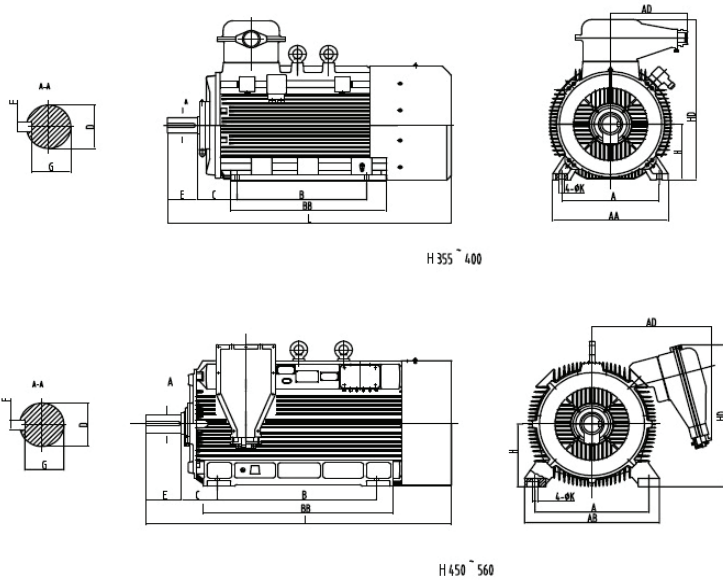
TYPE	Rated output	Voltage	Rated Current at	Speed	Power factor	Efficiency	Torque Tn	Starting Current	Starting Torque	Pull-out Torque	Weight (B3)
	KW	V	A	r.p.m.	cos φ	η	Nm	Ist/In	Tst/Tn	Tmax/Tn	Kg
OME 500 B-2	560	10000	38.3	3000	0.9	93.7	1.783	1,8	0.6	7	5450
OME 500 C-2	630	10000	43.1	3000	0.9	93.8	2.006	1,8	0.6	7	5550
OME 500 D-2	710	10000	48.5	3000	0.9	93.9	2.260	1,8	0.6	7	5800
OME 500 E-2	800	10000	54.6	3000	0.9	94	2.547	1,8	0.6	7	5950
OME 500 F-2	900	10000	61.3	3000	0.9	94.2	2.865	1,8	0.6	7	6200
OME 560 C-2	1000	10000	67.2	3000	0.91	94.4	3.183	1,8	0.7	7	9550
OME 560 D-2	1120	10000	75.2	3000	0.91	94.5	3.565	1,8	0.7	7	11050
OME 560 E-2	1250	10000	83.8	3000	0.91	94.6	3.979	1,8	0.7	7	11320
OME 450 A-4	250	10000	18.3	1500	0.85	92.6	1.592	1,8	0.7	7	3450
OME 450 B-4	280	10000	20.3	1500	0.85	92.7	1.783	1,8	0.7	7	3520
OME 450 C-4	315	10000	22.7	1500	0.86	93.2	2.006	1,8	0.7	7	3600
OME 450 D-4	355	10000	25.5	1500	0.86	93.5	2.260	1,8	0.7	7	3750
OME 450 E-4	400	10000	28.7	1500	0.86	93.6	2.547	1,8	0.7	7	3850
OME 450 F-4	450	10000	32.2	1500	0.86	93.8	2.865	1,8	0.7	7	4000
OME 450 G-4	500	10000	35.1	1500	0.88	93.4	3.183	1,8	0.7	7	4230
OME 450 H-4	560	10000	38.6	1500	0.89	94	3.565	1,8	0.7	7	4400
OME 500 A-4	500	10000	35.3	1500	0.87	94	3.183	1,8	0.7	7	5450
OME 500 B-4	560	10000	39.5	1500	0.87	94.2	3.565	1,8	0.7	7	5550
OME 500 C-4	630	10000	44.3	1500	0.87	94.4	4.011	1,8	0.7	7	5800
OME 500 D-4	710	10000	49.6	1500	0.87	95	4.520	1,8	0.7	7	5950
OME 500 E-4	800	10000	55.8	1500	0.87	95.1	5.093	1,8	0.7	7	6100
OME 500 F-4	900	10000	61.8	1500	0.89	94.4	5.730	1,8	0.7	7	6350
OME 560 C-4	1000	10000	68.8	1500	0.88	95.3	6.367	1,8	0.7	7	9850
OME 560 D-4	1120	10000	77	1500	0.88	95.4	7.131	1,8	0.7	7	11000
OME 560 E-4	1250	10000	84.6	1500	0.9	94.8	7.958	1,8	0.7	7	11200
OME 450 C-6	220	10000	16.8	1000	0.82	92.3	2.101	1,8	0.7	6	3450
OME 450 D-6	250	10000	19.1	1000	0.82	92.4	2.388	1,8	0.7	6	3550
OME 450 E-6	280	10000	21	1000	0.83	92.7	2.674	1,8	0.7	6	3650
OME 450 F-6	315	10000	23.6	1000	0.83	92.8	3.008	1,8	0.7	6	3800
OME 450 G-6	355	10000	26.5	1000	0.84	93.1	3.390	1,8	0.7	6	3950
OME 450 H-6	400	10000	29.6	1000	0.84	92.9	3.820	1,8	0.7	6	4230
OME 500 B-6	400	10000	29.8	1000	0.83	93.3	3.820	1,8	0.7	6	5400
OME 500 C-6	450	10000	33.5	1000	0.83	93.5	4.298	1,8	0.7	6	5550



IP 55, IC 411, Insulation Class F, temperature rise Class B, 10000V-50HZ

TYPE	Rated output	Voltage	Rated Current at	Speed	Power factor	Efficiency	Torque Tn	Starting Current	Starting Torque	Pull-out Torque	Weight (B3)
	KW	V	A	r.p.m.	cos φ	η	Nm	I st/In	Tst/Tn	Tmax/Tn	Kg
OME 560 B-6	710	10000	51.6	1000	0.84	94.6	6.781	1.8	0.7	6	9800
OME 560 C-6	800	10000	58.1	1000	0.84	94.7	7.640	1.8	0.7	6	10000
OME 560 D-6	900	10000	64	1000	0.86	94.3	8.595	1.8	0.7	6	10200
OME 560 E-6	1000	10000	71.1	1000	0.86	94.4	9.550	1.8	0.7	6	10350
OME 500 A-8	250	10000	20.2	750	0.77	92.6	3.183	1.8	0.7	6	5430
OME 500 B-8	280	10000	22.6	750	0.77	92.7	3.565	1.8	0.7	6	5660
OME 500 C-8	315	10000	25.5	750	0.77	92.8	4.011	1.8	0.7	6	5700
OME 500 D-8	355	10000	28.6	750	0.77	93.1	4.520	1.8	0.7	6	5760
OME 500 E-8	400	10000	31.8	750	0.78	93.2	5.093	1.8	0.7	6	5820
OME 500 F-8	450	10000	33.6	750	0.83	93.1	5.730	1.8	0.7	6	6150
OME 560 B-8	500	10000	39	750	0.79	93.8	6.367	1.8	0.7	6	8100
OME 560 C-8	560	10000	43.6	750	0.79	93.9	7.131	1.8	0.7	6	8300
OME 560 D-8	630	10000	46.4	750	0.83	94.4	8.022	1.8	0.7	6	8500
OME 560 E-8	710	10000	52.7	750	0.83	93.8	9.041	1.8	0.7	6	8800
OME 500 C-10	220	10000	18.6	600	0.74	92.1	3.502	1.8	0.7	5.5	10800
OME 500 D-10	250	10000	21.2	600	0.74	92.2	3.979	1.8	0.7	5.5	11200
OME 500 E-10	280	10000	23.6	600	0.74	92.4	4.457	1.8	0.7	5.5	12000
OME 500 F-10	315	10000	26.5	600	0.74	92.6	5.014	1.8	0.7	5.5	5760
OME 560 A-10	355	10000	29.4	600	0.75	92.8	5.650	1.8	0.7	6	5930
OME 560 B-10	400	10000	33.1	600	0.75	93	6.367	1.8	0.7	6	6120
OME 560 C-10	450	10000	36.2	600	0.77	93.2	7.163	1.8	0.7	6	7350
OME 560 D-10	500	10000	40.1	600	0.77	93.4	7.958	1.8	0.7	6	7500
OME 560 E-10	560	10000	44.3	600	0.78	93.5	8.913	1.8	0.7	6	7850
OME 560 A-12	250	10000	21.5	500	0.73	92	4.775	1.8	0.7	6	8100
OME 560 B-12	280	10000	24	500	0.73	92.1	5.348	1.8	0.7	6	8300
OME 560 C-12	315	10000	27	500	0.73	92.3	6.017	1.8	0.7	6	8600
OME 560 D-12	355	10000	30.4	500	0.73	92.5	6.781	1.8	0.7	6	11000
OME 560 E-12	400	10000	34.1	500	0.73	92.7	7.640	1.8	0.7	6	11400

B 3 Mounting and overall dimensions



ENGINE DIMENSIONS	CAST IRON FRAME													
	GENERAL ASSEMBLY SIZE DIMENSIONS													
	A	B	C	D	E	F	G	H	K	AD	HD	L	BB	AB
OME 355 - 2	630	900	254	75	140	20	67,5	355	28	860	1250	2000	1110	750
OME 355 - 4 ~ 8	630	900	254	100	210	28	90	355	28	860	1250	2000	1110	750
OME 400 - 2	710	1000	280	85	170	22	76	400	35	860	1340	2200	1200	870
OME 400 - 4 ~ 8	710	1000	280	110	210	28	100	400	35	860	1340	2200	1200	870
OME 450 - 2	800	1120	280	95	170	25	86	450	35	930	1200	2310	1340	950
OME 450 - 4	800	1120	280	120	210	32	109	450	35	930	1200	2310	1340	950
OME 450 - 6 ~ 8	800	1120	280	130	250	32	119	450	35	930	1200	2310	1340	950
OME 500 - 2	900	1250	C'	110	210	28	100	500	42	970	1280	2610	1490	1080
OME 500 - 4	900	1250	315	130	250	32	119	500	42	970	1280	2610	1490	1080
OME 500 - 6 ~ 8	900	1250	315	140	250	36	128	500	42	970	1280	2610	1490	1080
OME 560 - 2	1000	1400	C'	130	250	32	119	560	42	1030	1380	2900	1680	1180
OME 560 - 4	1000	1400	355	150	250	36	138	560	42	1030	1380	2900	1680	1180
OME 560 - 6 ~ 8	1000	1400	355	160	300	40	147	560	42	1030	1380	2900	1680	1180

